



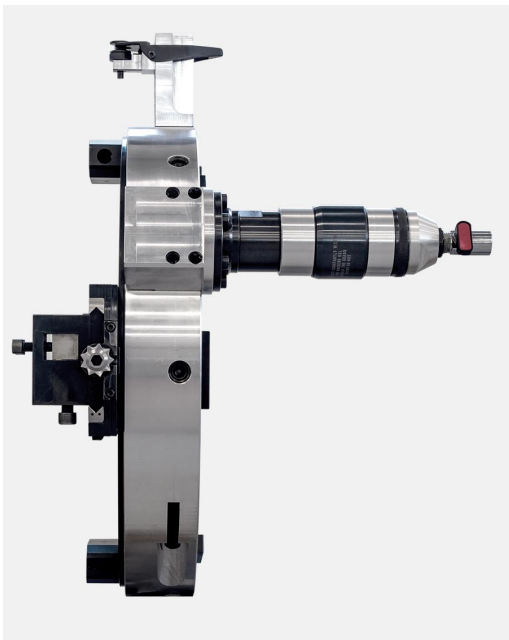
SPLIT FRAME CLAMSHELLS

SPLIT FRAME CLAMSHELL CUTTERS

- Our Standard models cover a range from 1 3/8" (33.4mm) to 48" (1219mm) OD
- Our power options are Pneumatic, hydraulic and electric drive.
- Different drive options are available to suit different machining applications.
- Slim Fit Clamshells can be used to cut/part-off, Bevel, Face and Counterbore.



Our Range of clamshells are low clearance, split frame cutting and bevelling machines designed for cutting and bevelling pipe efficiently. They can operate on many materials including carbon steel, stainless steel, Hastelloy, Incoloy and Super Duplex.



The machines are supplied complete with:

- 1 off split half drive ring, gearbox and drive motor.
- 2 off combination tool slides for cutting & bevelling.
- Striker feed unit with adjustable cut feature.
- Integral clamping unit and spacers.
- Toolkit.
- Storage / shipping box.

Please contact us with your exact requirements and we'll get you specifications of a machine to suit them.

Tel: +44 (0) 23 8036 6410
Fax: +44 (0) 23 8039 9113

E-mail: tuberunner@bsa-regal.co.uk
Web: www.tuberunner.co.uk