



SPLIT FRAMES

SPLIT FRAME CLAMSHELL CUTTERS

■ CUTTING RANGES:

51mm – 1220mm OD
2" - 48" OD

■ POWER OPTIONS:

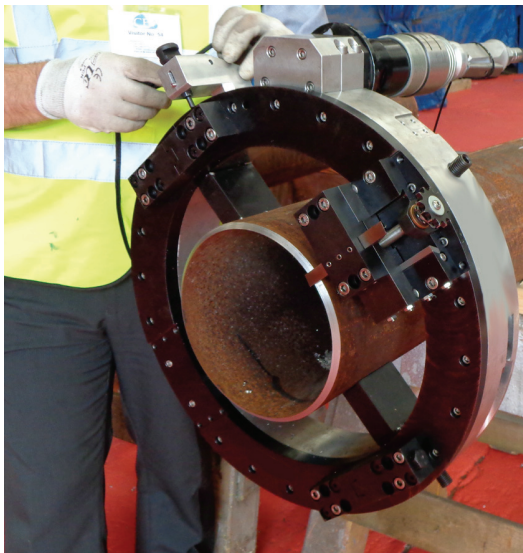
PNEUMATIC
HYDRAULIC

■ PREPARATIONS:

CUT / PART-OFF
BEVEL
FACE
COUNTER BORE



The MSF Range of clamshell pipe and casing cutter are low clearance, split frame cutting and bevelling machines designed for cutting and bevelling pipe efficiently. They can operate on many materials including carbon steel, stainless steel, Hastelloy, Incoloy and Super Duplex.



The machine is supplied complete with 1 off split half drive ring, gearbox and drive motor, 2 off combination tool slides for cutting & bevelling, striker feed unit with adjustable cut feature, integral clamping unit and spacers, toolkit inc. air filter lubricator & hose connection, storage / shipping box

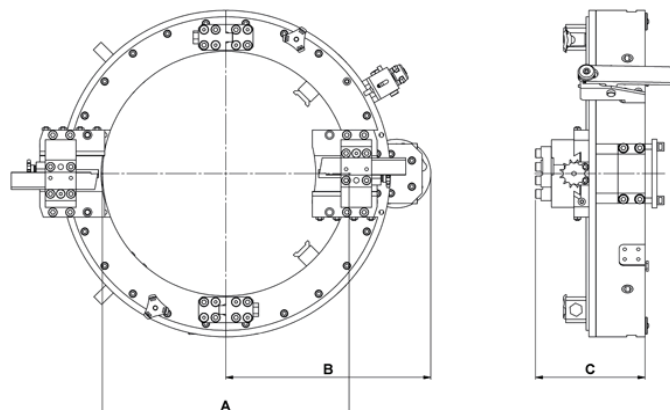


SPLIT FRAMES

SPECIFICATIONS

Weights and Dimensions

Model	Size Range	A	B	C	Weight	
MSF2-6	2 - 6"	51 - 152mm	6.88" (175mm)	7.51" (191mm)	6.0" (152mm)	14 Kgs
MSF4-8	4 - 8"	102 - 203mm	8.87" (225mm)	9.21" (234mm)	6.0" (152mm)	20 Kgs
MSF6-12	6 - 12"	152 - 305mm	13.00" (330mm)	10.94" (278mm)	6.0" (152mm)	25 Kgs
MSF8-14	8 - 14"	203 - 356mm	14.25" (362mm)	11.45" (291mm)	6.0" (152mm)	27 Kgs
MSF14-20	14 - 20"	356 - 508mm	20.25" (514mm)	14.70" (373mm)	6.0" (152mm)	42 Kgs
MSF18-24	18 - 24"	457 - 610mm	24.25" (616mm)	16.63" (422mm)	7.0" (178mm)	86 Kgs
MSF26-32	26 - 32"	660 - 813mm	32.50" (826mm)	20.63" (524mm)	7.0" (178mm)	107 Kgs
MSF30-36	30 - 36"	762 - 915mm	36.50" (927mm)	22.63" (575mm)	7.0" (178mm)	118 Kgs
MSF36-42	36 - 42"	915 - 1067mm	42.50" (1079mm)	25.64" (651mm)	7.0" (178mm)	135 Kgs
MSF42-48	42 - 48"	1067 - 1220mm	48.50" (1232mm)	28.64" (727mm)	7.0" (178mm)	150 Kgs



Tel: +44 (0) 23 8036 6410
Fax: +44 (0) 23 8039 9113

E-mail: tuberunner@bsa-regal.co.uk
Web: www.tuberunner.co.uk